

Powerful, inexpensive and extremely compact



i-CON PICO

The **i-CON PICO** does without ESD capability but has an impact-proof housing. The i-TOOL PICO has a heat-resistant cable and uses an exchangeable high-performance heating element in the combined metal/plastic housing.

The compact tool holder with silicone base and spring support for the soldering iron has room for the dry sponge and soldering tips.



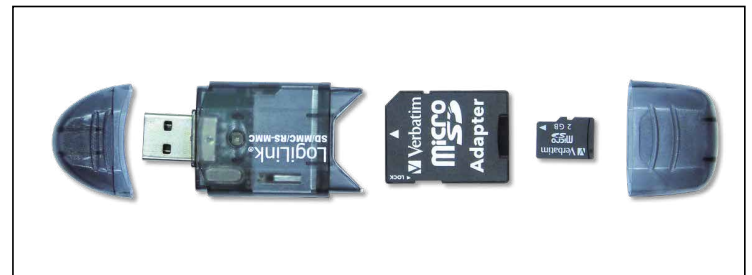
i-CON NANO

The **i-CON NANO** has an impact-proof, conductive and ESD-safe housing. The ESD-safe i-TOOL NANO is connected to the station via a heat-resistant cable and has the original high-performance heating element in a metal housing.

The ESD-safe silicone tool holder with its heat-resistant ceramic support holds the soldering tool safely and has room for the dry sponge as well for holding up to four soldering tips.



Intuitive 2-button operating concept



MicroSD card with SD card and USB adapter

The Ersa soldering stations **i-CON PICO** and **i-CON NANO** provide professional soldering technology for price-conscious users. Both stations use the technology of the i-CON industrial soldering stations. They have been optimised to meet the requirements of ambitious beginners as well as soldering professionals looking for tried-and-trusted technology at an attractive price.

Very often, space on the workbench is limited, which is why the compact stations manage with a footprint of only 8 x 4.5 cm. The **i-CON NANO** is a fully ESD-capable station available for customers who work with ESD-sensitive components. The **i-CON PICO** serves all those looking for a compact solution for standard THT or SMD soldering tasks. The whole range of ERSADUR industrial soldering tips of the 102 series is available for both stations.

The stations have an easily legible LC display as well as modern standby and sleep functions available to save energy and go easy on the soldering tips when they are not in use. Unusual for this class: both stations are easy to configure and lock using PC software and microSD card.

Features	i-CON PICO	i-CON NANO
SENSOTRONIC temperature control	●	●
Three settable fixed temperatures	●	●
Tip temperature can be calibrated	●	●
Configurable with microSD card	●	●
Heating element and tips can be exchanged separately	●	●
Standby mode	●	●
ESD-design		●
Potential equalization soldering tip		●

Powerful, inexpensive and extremely compact

Technical data Ersa i-CON PICO soldering station

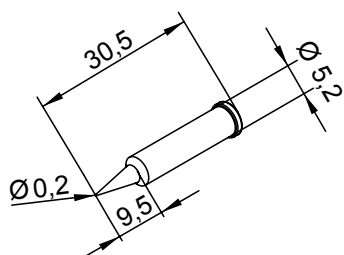


Dimensions (L x W x H)	145 x 80 x 103 mm
Voltage	220 – 240 VAC
Rating	80 W
Temperature range	150 – 450 °C
Connectable tools	i-TOOL PICO
Rating i-TOOL PICO	Nominal rating 80 W, max. rating 150 W
Heating time	approx. 9 s
Antistatic version	no

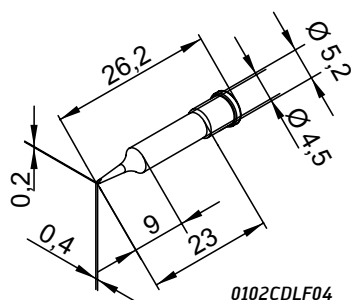
Technical data Ersa i-CON NANO soldering station



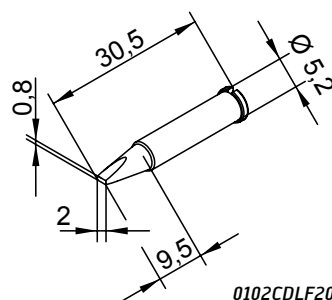
Dimensions (L x W x H)	145 x 80 x 103 mm
Voltage	220 – 240 VAC
Rating	80 W
Temperature range	150 – 450 °C
Connectable tools	i-TOOL NANO
Rating i-TOOL NANO	Nominal rating 80 W, max. rating 150 W
Heating time	approx. 9 s
Antistatic version	yes



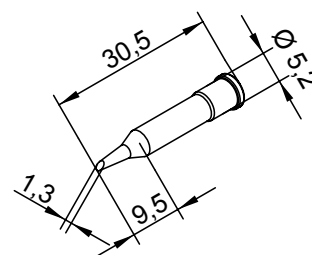
0102PDLF02
pencil point, 0.2 mm ϕ



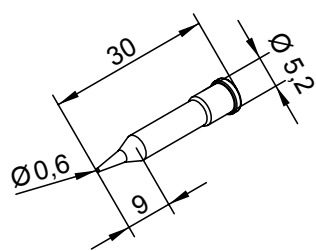
0102CDLF04
chisel-shaped, 0.4 mm



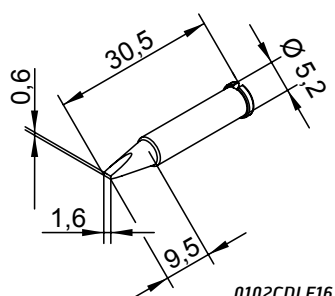
0102CDLF20
chisel-shaped, 2.0 mm



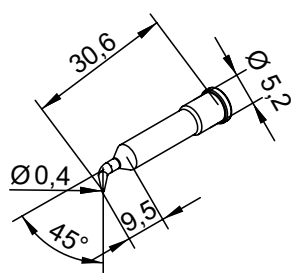
0102ADLF13
angled face, 1.5 mm



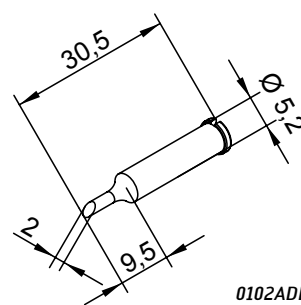
0102PDLF06
pencil point, 0.6 mm ϕ



0102CDLF16
chisel-shaped, 1.6 mm



0102SDLF04
bent, 0.4 mm ϕ



0102ADLF20
angled face, 2.0 mm

See 102.ersa.de for further tips

Ordering information:

Order no.	Description
OIC1300	i-CON PICO soldering station, complete with i-TOOL PICO soldering iron (0130CDK), with soldering tip 1.6 mm, chisel-shaped (0102CDLF16) and tool holder (0A53)
OIC1200A	i-CON NANO soldering station, complete with i-TOOL NANO soldering iron (0120CDK), with soldering tip 1.6 mm, chisel-shaped (0102CDLF16) and tool holder (0A52)

Accessories:

Order no.	Description
OIC138	SD card reader with USB adapter and configuration software for i-CON PICO
OIC128	SD card reader with USB adapter and configuration software for i-CON NANO

343 413 - 05/2018 | Subject to change | © Ersa GmbH